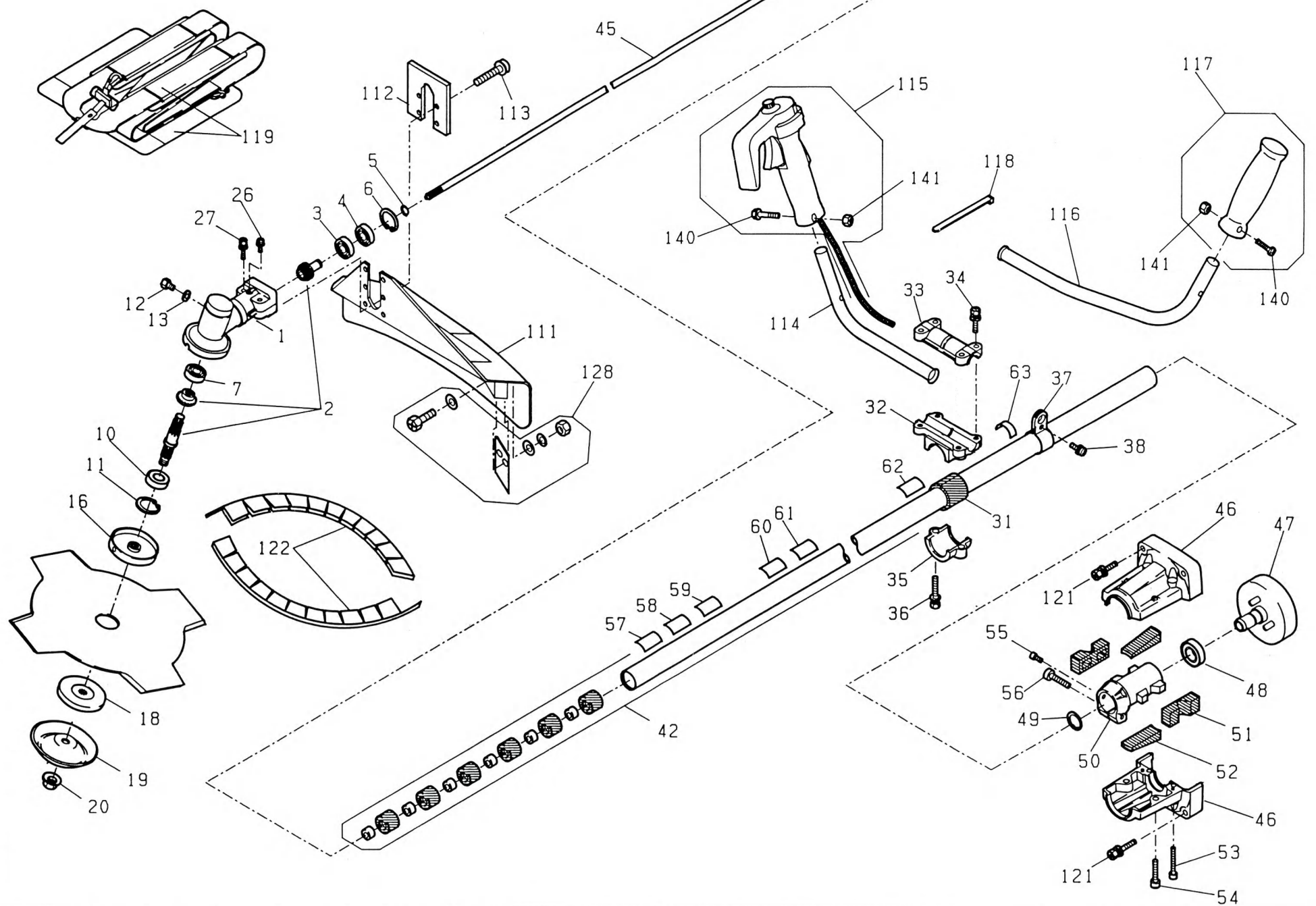


ESPLOSO ASTE H26

H26W 960...



H26W PARTS LIST 1/2

| RE F. | CODE NO. | NAME | QTY |
|---------|---------------|---|-----|
| 1 - 2 7 | 166 - 693 - 9 | GEAR CASE ASS' Y | 1 |
| 1 | 165 - 623 - 5 | GEAR CASE | 1 |
| 2 | 166 - 712 - 0 | GEAR ASS'Y (pignone, ingranaggio, albero) | 1 |
| 2 | 222 - 031 - 0 | SHAFT (albero) | 1 |
| 3 | 004 - 502 - 0 | PINION BEARING | 1 |
| 4 | 004 - 550 - 0 | PINION BEARING | 1 |
| 5 | 008 - 201 - 0 | STOP RING | 1 |
| 6 | 008 - 316 - 0 | STOP RING | 1 |
| 7 | 004 - 502 - 0 | GEAR BEARING | 1 |
| 10 | 004 - 701 - 0 | SHAFT BEARING | 1 |
| 11 | 008 - 317 - 0 | STOP RING | 1 |
| 12 | 001 - 100 - 0 | OIL HOLE BOLT (M8 X 10) | 1 |
| 13 | 166 - 475 - 4 | OIL HOLE PACKING | 1 |
| 16 | 166 - 691 - 7 | HOLDERCUTTER | 1 |
| 18 | 166 - 691 - 8 | CAP CUTTER | 1 |
| 19 | 165 - 095 - 7 | STABILIZER | 1 |
| 20 | 166 - 691 - 9 | BLADE NUT W/WASHER M10 (L) | 1 |
| 26 | 002 - 421 - 0 | SCREW (M5 X 14) | 1 |
| 27 | 001 - 812 - 0 | BOLT (M6 X 35) | 1 |
| 31 | 203 - 107 - 0 | HANDLE DAMPER A e B | 1 |
| 32 | 166 - 543 - 1 | HANDLE HOLDER A interasse viti mm. 66 | 1 |
| 32 | 801-689-443 | HANDLE HOLDER B interasse viti mm. 60 | 1 |
| 33 | 166 - 542 - 9 | HANDLE HOLDER A interasse viti mm. 66 | 1 |
| 33 | 801-689-441 | HANDLE HOLDER B interasse viti mm. 60 | 1 |
| 34 | 001 - 812 - 0 | BOLT (M6 X 30) A | 4 |
| 34 | 800-200-038 | BOLT (M6 X 30) B | 4 |
| 35 | 166 - 543 - 3 | HANDLE HOLDER A | 1 |
| 35 | 801-675-715 | HANDLE HOLDER B | 1 |
| 36 | 001 - 812 - 0 | BOLT (M6 X 30) A | 2 |
| 36 | 800-200-039 | BOLT (M6 X 30) B | 2 |
| 37 | 201 - 107 - 0 | HANGER STRAP STEM | 1 |
| 38 | 002 - 442 - 0 | SCREW | 1 |
| 42 | 166 - 712 - 5 | DRIVE SHAFT HOUSING ASS'Y | 1 |
| 45 | 166 - 694 - 2 | DRIVE SHAFT | 1 |
| 46 → 56 | 166 - 711 - 3 | CLUTCH HOUSING ASS' Y | 1 |
| 46 | 166 - 710 - 8 | CLUTCH HOUSING | 1 |
| 47 | 203 - 100 - 0 | CLUTCH DRUM | 1 |
| 48 | 004 - 601 - 0 | CLUTCH BEARING | 1 |
| 49 | 008 - 061 - 0 | STOP RING | 1 |
| 50 | 166 - 710 - 9 | CLUTCH HOUSING CORE | 1 |
| 51 | 165 - 213 - 2 | HOUSING DAMPER | 2 |
| 52 | 165 - 225 - 8 | HOUSING DAMPER | 2 |

H26W PARTS PRICE LIST 2/2

| REF. | CODE NO. | NAME | QTY |
|-------|---------------|-----------------------------------|-----|
| 53 | 165 - 214 - 2 | HEX. SOCKET HEAD BOLTM 5X30 | 2 |
| 54 | 165 - 214 - 1 | HEX. SOCKET HEAD BOLTM 6X25 | 2 |
| 55 | 001 - 718 - 0 | BOLT (M5 X 12) | 1 |
| 56 | 001 - 812 - 0 | BOLT (M6 X 30) | 1 |
| 57 | 165 - 577 - 0 | LABEL | 1 |
| 58 | 333 - 301 - 5 | LABEL | 1 |
| 59 | 165 - 576 - 5 | LABEL | 1 |
| 60 | 165 - 576 - 8 | LABEL | 1 |
| 61 | 165 - 576 - 9 | LABEL | 1 |
| 63 | 165 - 577 - 2 | LABEL | 3 |
| 111 | 166 - 711 - 7 | 1656239 SAFETY GUARD | 1 |
| 112 | 166 - 637 - 8 | SAFETY GUARD HOLDER | 1 |
| 113 | 002 - 826 - 0 | SCREW (M5 X 16) | 4 |
| 114 | 166 - 579 - 1 | HANDLE | 1 |
| 115 | 165 - 582 - 0 | THROTTLE LEVER ASS' Y (W) | 1 |
| 115-a | 165 - 582 - a | SOLO LEVETTA ACCELERATORE | 1 |
| 115-b | 165 - 582 - b | SOLO LEVA SICUREZZA ACCELERATORE | 1 |
| 115-c | 8810139 | CABLE, THROTTLE (TL43 TL50 TL52) | 1 |
| 115-d | 166 - 958 - 9 | CABLE, THROTTLE (GX22 / 31) | 1 |
| 116 | 166 - 578 - 9 | HANDLE | 1 |
| 117 | 165 - 582 - 5 | HANDLE GRIP ASS' Y | 1 |
| 118 | 008 - 036 - 0 | BAND | 2 |
| 119 | 166 - 718 - 7 | HARNESS ASS' Y | 1 |
| 121 | 001 - 812 - 0 | BOLT (M6X30) | 4 |
| 122 | 166 - 695 - 3 | PROTECTOR | 2 |
| 123 | 165 - 410 - 4 | WRENCH | 1 |
| 124 | 165 - 410 - 3 | SPANNER (10 X 8) | 1 |
| 128 | 166 - 588 - 0 | BLADE ASS' Y | 1 |
| 140 | 165 - 517 - 5 | SCREW (M5 X 30) | 2 |
| 141 | 003 - 008 - 0 | NUT (M5) | 2 |
| | 003 - 022 - 8 | NUT (GX22 / 31) | 2 |
| | 166 - 959 - 3 | CAP (GX22 / 31) | 1 |
| | 166 - 871 - 2 | WIRE, LEAD (GX22 / 31) | 1 |
| | 002 - 021 - 5 | SCREW (GX22 / 3 1) | 1 |
| | 166 - 959 - 0 | CASE, JOINT (GX22 / 31) | 1 |
| | 166 - 959 - 4 | INSTRUCTION MANUAL (GX) | 1 |
| | 166 - 959 - 2 | DRIVER, TOOL (GX22 / 31) | 1 |
| | 166 - 959 - 1 | SOCKET, WRENCH (GX22 / 31) | 1 |